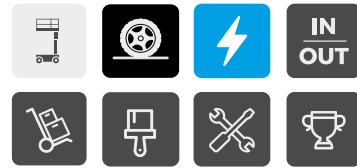


## STAR 8 / 10



### OPTIMAL AGILITY IN CONFINED WORKING AREAS

- > Progressive electric drive AC motors
- > Zero tail swing & tight turning radius
- > 3m outreach vertical jib
- > Minimal maintenance & downtime
- > Maintenance free brushless AC motors
- > Haulotte Activ'Screen (onboard diagnostic)

### CENTRALIZED BATTERY FILLING

- > Longer life time
- > New unbreakable hoods in composite material
- > Durability multiplied by 3 on pins, bushes, non-painted parts and fastening hardware
- > Smart transportability
- > Versatile and effective transport solutions with forklift tine pockets
- > 25% gradeability to easily climb truck ramps

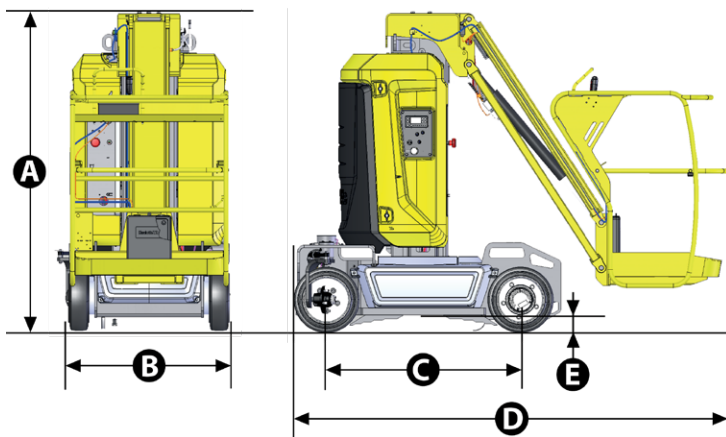


## VERTICAL MASTS

### TECHNICAL DATA

#### STAR 8 STAR 10

|                                |                  |                  |
|--------------------------------|------------------|------------------|
| Working height                 | 8.7 m            | 10 m             |
| Platform height                | 6.7 m            | 8 m              |
| Horizontal outreach            | 3 m              | 3 m              |
| Lift capacity - inside         | 200 kg (2 pers.) | 200 kg (2 pers.) |
| Lift capacity - outside        | 200 kg (2 pers.) | 200 kg (1 pers.) |
| Platform size                  | 0.78 x 0,98 m    | 0.78 x 0,98 m    |
| <b>D</b> Length                | 2.7 m            | 2.7 m            |
| <b>B</b> Width                 | 1 m              | 1 m              |
| Tailswing                      | 0 cm             | 0 cm             |
| <b>C</b> Wheelbase             | 1.2 m            | 1.2 m            |
| <b>A</b> Height - stowed       | 1.99 m           | 1.99 m           |
| <b>E</b> Ground clearance      | 10 cm            | 10 cm            |
| Driveable at full height up to | 6.7 m            | 8 m              |
| Drive speed proportional       | 0.6 - 5 km/h     | 0.6 - 5 km/h     |
| Turning radius - outside       | 1.88 m           | 1.88 m           |
| Turntable rotation             | 345°             | 345°             |
| Vertical jib rotation          | 130° (+70°/-60°) | 130° (+70°/-60°) |
| Tyres - non marking            | 16x5x10.5        | 16x5x10.5        |
| Tilt alarm                     | 3 °              | 3 °              |
| Gradeability                   | 25 %             | 25 %             |
| Hydraulic system capacity      | 7 l              | 7 l              |
| Power source                   | 24 V - 250 Ah    | 24 V - 250 Ah    |
| Weight                         | 2 585 kg         | 2 677 kg         |



### STANDARD EQUIPMENT

- > 24 V electric drive brushless AC motors
- > 24 V - 250 Ah traction batteries
- > 35 A battery charger
- > Battery charge indicator
- > On-board diagnostic tool Haulotte Activ'Screen
- > Centralised battery filling
- > Forklift tine pockets
- > Towing hooks and lifting eyes
- > Passive potholes
- > 2 front driving wheels
- > 2 rear steering wheels
- > Non-marking tires
- > Brake release
- > Hourmeter
- > Horn
- > Emergency stop buttons at cage and ground level
- > Load controller in the platform
- > Emergency hand pump
- > 2 control stations at cage and ground level
- > 2 rings in the platform for safety harnesses
- > Travel alarm

### OPTIONS AND ACCESSORIES

- > Haulotte Activ'Shield Bar
- > Power line in platform
- > Air line in platform
- > Swing door entry gate
- > Biodegradable oil
- > Maintenance-free batteries
- > Telematics ready
- > Hydraulic oil for cold countries
- > Flashing light
- > Working light

