



# HA16 RTJ HA16 RTJ 0

## Performance & ease of use

- Industry leading working envelope with an outreach of 8.3 m
- Best lifting speed of 40 sec
- Fully proportional and simultaneous movements
- Ease of transport

## Excellent Robustness

- Rugged hoods with ergonomic handle
- Long lasting structural design

## Easy Maintenance

- Fully modular basket with upper control box cover
- Easy access to all components
- Self-diagnosis tool on lower control box

## Best Comfort and Safety Feeling

- Safe driving



**Haulotte**   
GROUP

More than lifting





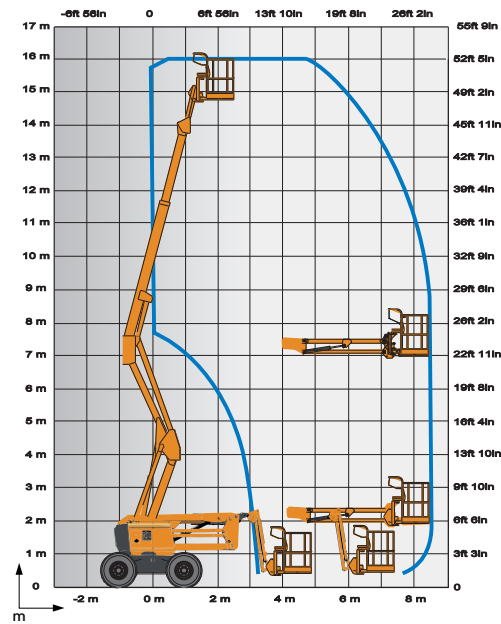
# HA16 RTJ + 0

ROUGH TERRAIN ARTICULATING BOOMS

## TECHNICAL DATA

**HA16 RTJ** 4WD / 2WS  
**HA16 RTJ 0** 4WD / 2WS  
 Front oscillating axle

Working height	16 m
Platform height	14 m
Horizontal outreach	8.3 m
Up and over clearance	7.65 m
Lift capacity	230 kg (2 persons)
<b>F x G</b> Platform size	1.83 x 0.80 m
<b>A</b> Length - stowed	6.75 m
<b>H</b> Transport length (jib tucked under)	5.05 m
<b>B</b> Width	2.3 m
<b>C</b> Height - stowed	2.3 m
<b>I</b> Transport height	2.4 m
Jib length	1.2 m
Vertical jib rotation	140° (-80°/+60°)
Platform rotation	180 (-90°/+90°)
Turntable rotation	355° non continuous
<b>D</b> Wheelbase	2.1 m
<b>E</b> Ground clearance	38 cm
Tilt	5 °
Drive speed	Up to 5.6 km/h
Gradeability	40 %
Turning radius - outside	4.5 m
Tires cured solid Rough Terrain	14x17.5
Power source	Kubota 26 kW - 35 hp
Hydraulic system capacity	76 l
Fuel tank capacity	62 l
Weight	6200 kg      6550 kg

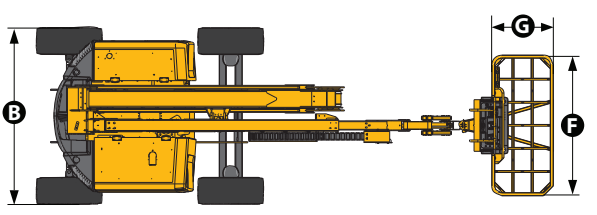
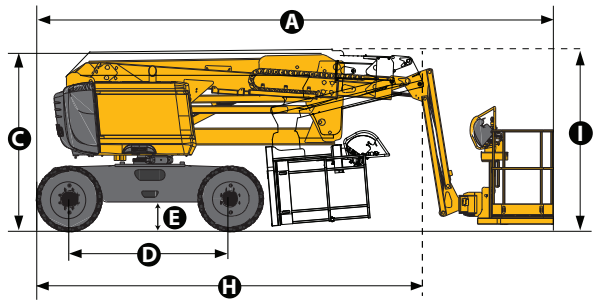


## STANDARD EQUIPMENT

- 4 wheel drive
- 2 wheel steer
- Front oscillating axle (RTJ 0) increases stability on uneven ground
- Permanent limited slip differential
- 230 kg (2 persons) load capacity
- 4 simultaneous movements for maximum productivity
- Safe to use in winds up to 45km/h
- Rotating beacon
- Modular standard basket 1.83 m x 0.80 m, quick & easy to repair
- Drop bar entry gate
- Upper control box cover
- Tool tray
- AC power to platform (110/230V)
- Self-diagnosis tool on lower control box
- Swing out engine tray for ease of maintenance
- Hour meter
- Low fuel level indicator (upper & lower control boxes)
- Engine pre-heater with light indicator
- Sound and light alarm for tilt and load
- 12 V battery / electrical control system
- Electric pump system and emergency descent
- Travel alarm

## OPTIONS AND ACCESSORIES

- Modular large basket 2.44 m x 0.91 m quick and easy to repair
- Lateral swing door entry gate
- Hydraulic generator Dynaset 3.5 Kw
- Air-line to platform 6.5 mm inner diameter
- 70W working light
- Power to platform (Female plug in the basket with or without circuit-breaker 30mA)
- Flashing light
- Cold weather kit : -10°C / -25°C
- Hot weather kit : hydraulic oil cooler + hydraulic oil
- Safe to use in winds up to 60 km/h
- Biodegradable hydraulic oil basic
- Large cured on solid Rough terrain tires 385/65
- Non-marking tires 14x17.5
- Haulotte ActivShield® Bar
- Catalytic exhaust for diesel engine
- Spark arrestor and electric one-way valve
- Battery cut-off



xxxxxxx - We reserve the right to modify the technical characteristics of this document without notice - 03/2014