

Range PXJ

Cod. PRP1572

Description: A double articulated platform with jib configuration with fully hydraulic proportional controls for high reliability and easy maintenance. Specifically designed to fulfil the high standard of quality requested by professional users, ensuring a long working life and a high residual value.

Performances

| | | |
|----------------------------|---------|--------------------------|
| Working height mt. | | 20.30 |
| Max load in the basket kg. | † † † | 250 |
| Max working outreach mt. | † † † | 9.80 |
| Turret rotation ° | | 450 |
| Hose track | | Internal |
| Controls in the basket | | Electronic with joystick |

Platform specifications

| | |
|----------------------------------|------------|
| Metal basket dimensions mt. | 1.40x0.70 |
| Fiberglass basket dimensions mt. | |
| Basket rotation ° | 80 + 90 |
| Front outriggers | Extendible |
| Back outriggers | Vertical |
| Foot plate gauge min. mt. | 3.43 |



Assembling

This assembly represents the top version with a very comfortable variable stabilization (wide, narrow and one side) even on delicate flooring. The outriggers are placed slightly outside the mirror width and ensure the best ratio between foot-print on ground and working outreach.

Deck Anti-slip aluminium deck

Body Purposely designed assembly to optimize functionality and utilization

Standards Declaration of Conformity

Accessories There are available a wide range of accessories, many of them are already included as standard machine. It is recommended to contact our sales network for more information.

Other types of assembling and different vehicles We are in position to propose the same machine with different type of assembly and / or on different types of vehicles. Contact our sales organization to obtain information about all the possible solutions that we are able to offer.

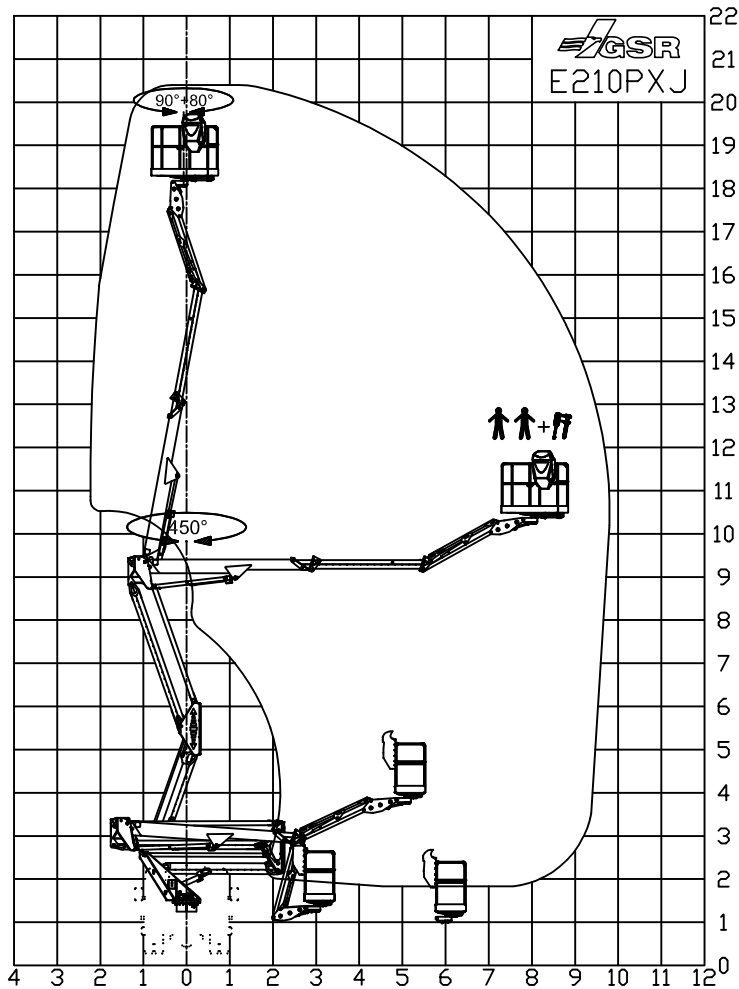


Via Lea Giaccaglia 5 – 47924 Rimini (RN) Italy
Tel. +39 0541 397811 Fax +39 0541 384491
sales@gsrspa.it - www.gsrspa.it

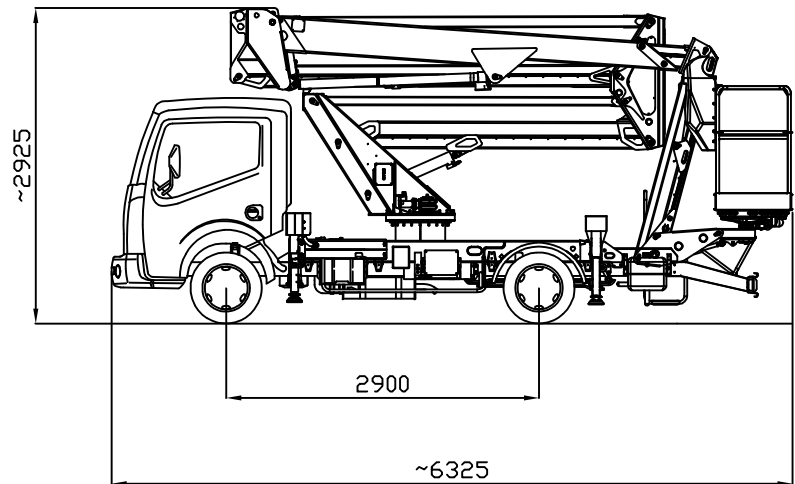
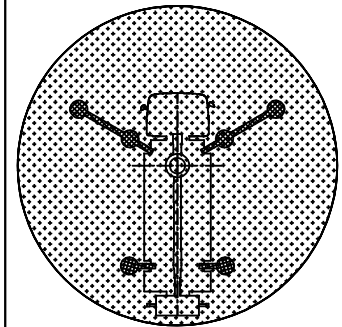
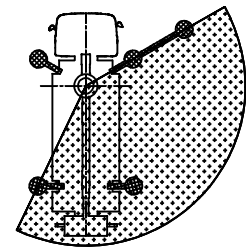
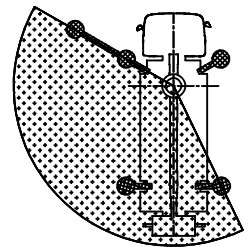
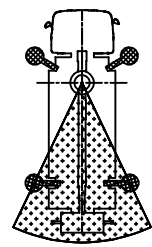
Company with Quality Management System Certified by DNV - ISO 9001:2008

Dati indicativi soggetti a modifica senza preavviso - Subject to modifications without prior note.

E210PXJ1572R0 / GB



APROXIMATE DATA - TECNICHE AENDERUNGEN VORBEHALTEN
 DONNES INDICATIVES - DATI INDICATIVI



| | |
|------------------------------------|-------------------|
| MAX SAFE WORKING LOAD | 250 KG |
| MAX NENNTRAGFAHIKGKEIT IM KORB | |
| MAX CHARGE NOMINALE DANS LE PANIER | |
| MAX PORTATA NOMINALE IN NAVICELLA | |



DENOMINAZIONE
E210PXJ Comfort XEV
 NISSAN 35.12 - 3.5 t

DATE 14-11-2012
 CODE PRP1572

Aggiornamenti - Modifiche:

| | |
|---|---|
| C | F |
| B | E |
| A | D |